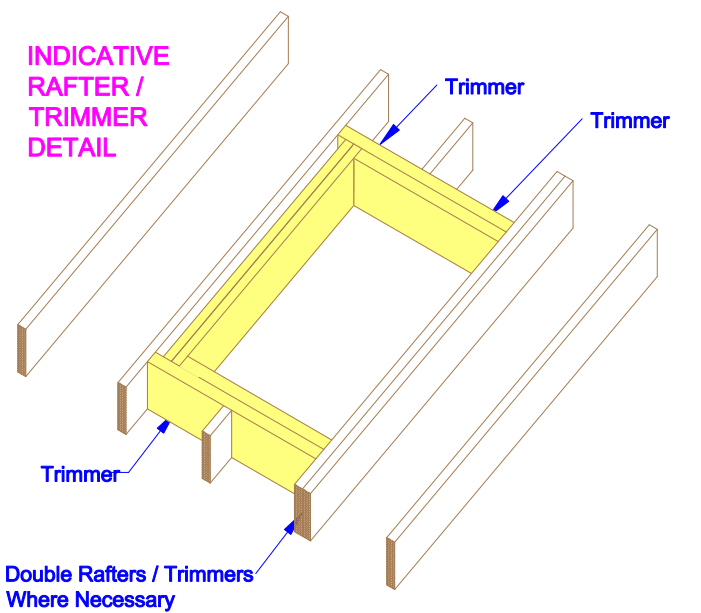
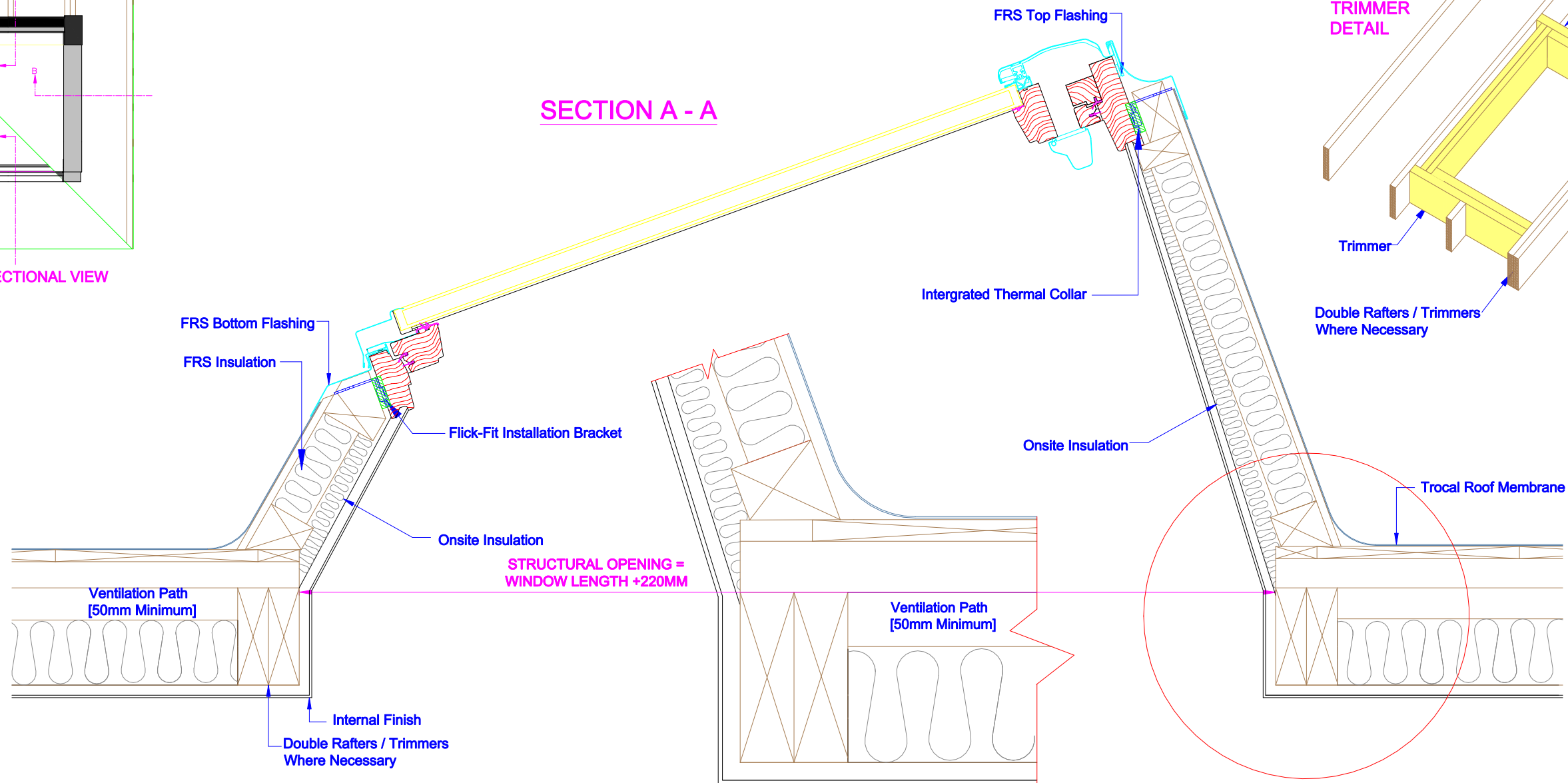
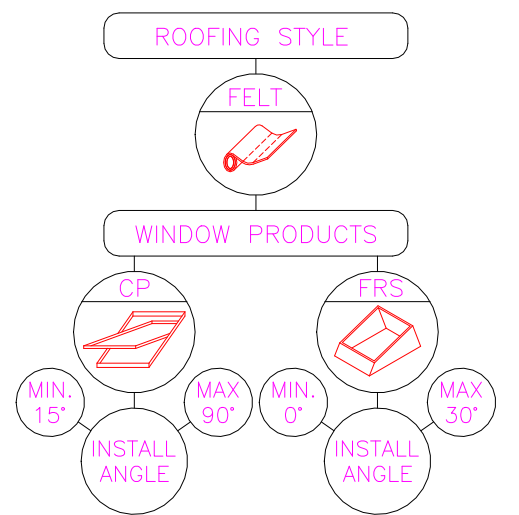
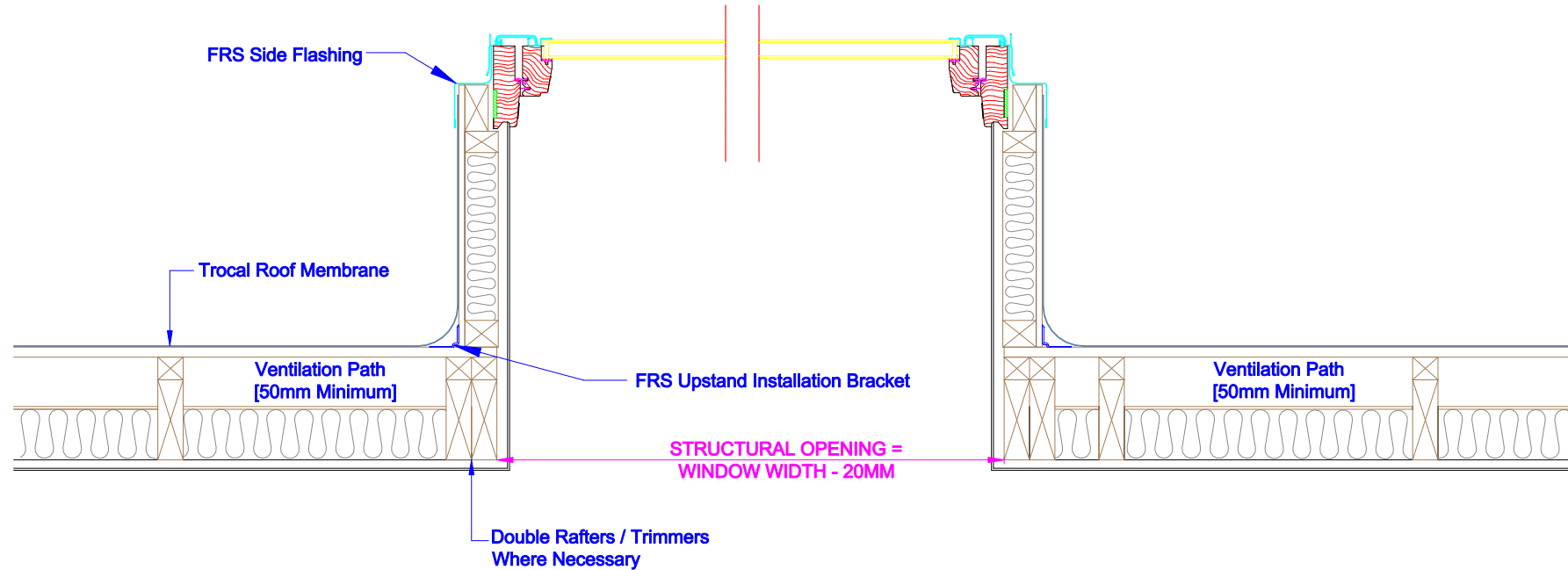


INDICATIVE SECTIONAL VIEW

SECTION A - A



SECTION B-B'



keylite
 Futuretherm Technology
 Date: 01/08/2014
 DWG No. CP-FRS-01