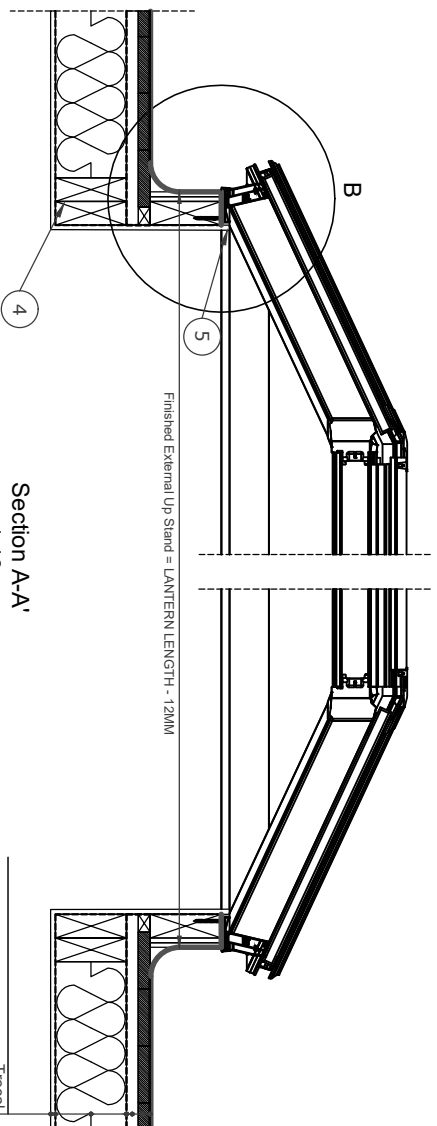
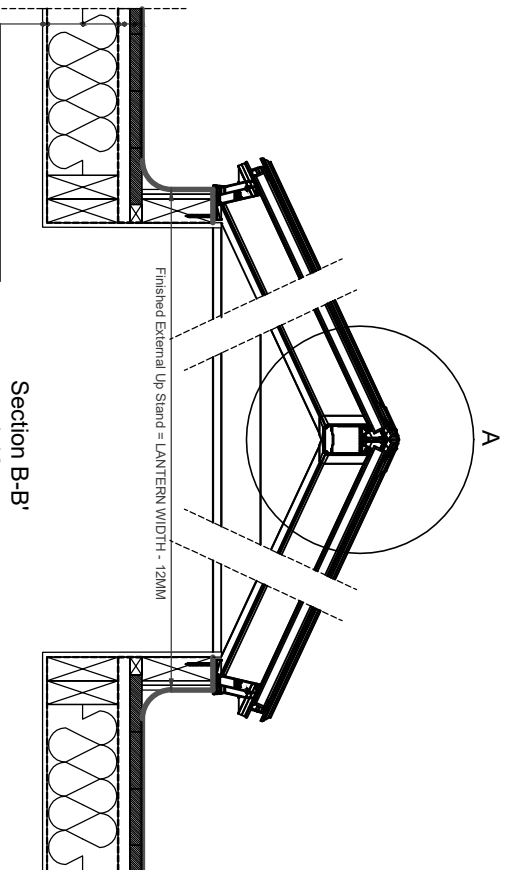


1. All In One Glazing Retainer
2. Thermally Broken Eaves Beam



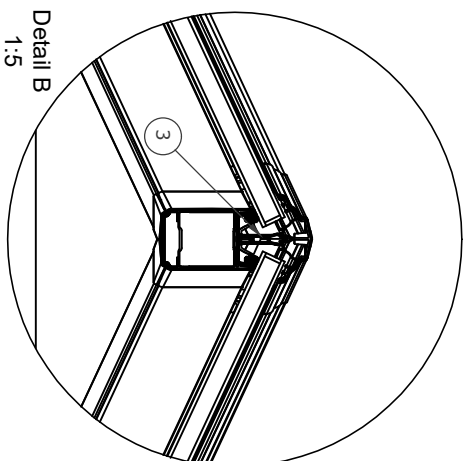
4. Double Trimmer (where necessary)
5. Edge Bead (Supplied by others)

Trocal
 Wooden Boarding
 Counter Batten/Ventilation Path
 Breather Membrane
 Insulation - Mineral Wool
 Vapour Barrier
 Internal Finish

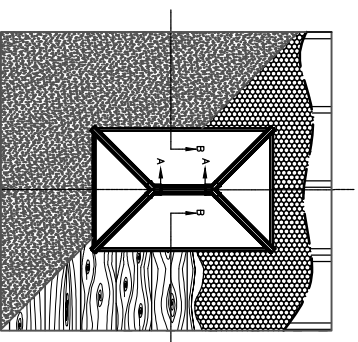


Section B-B'
1:10

Trocal
 Wooden Boarding
 Counter Batten/Ventilation Path
 Breather Membrane
 Insulation - Mineral Wool
 Vapour Barrier
 Internal Finish



Detail B
1:5
3. Thermal PVC T-Bar



INDICATIVE SECTIONAL VIEW



www.keylitewindows.com
 Tel: 028 8675 8921 Fax: 028 8675 8923
 Keylite Roof Windows Ltd, Derrykinn, Industrial Estate, Colakstown,
 Canary Street, Northern Ireland BT80 8ALU

 This drawing is for information and is not to be used for construction purposes only.
 All dimensions are given in millimetres unless otherwise stated.
 Keylite is not responsible for or the installation quality or the roof.
 Documentation is provided for copying and saving where permission is granted.

 Roofing Style: Trocal
 Frame Type: 
 Size Range (LxW): 1500 x 1000mm, 2000 x 1500mm, 2500 x 1500mm

Angle:  0-5

DWG No.: FRL Rev. A 2018

Scale: 1:5, 1:10

Format: A3